

fluid

Innovative fixtures for life

SPECIFICATIONS

Specifications

- Heavy brass construction for durability and reliability
- Kerox ceramic cartridge ensures life-long troublefree service
- Single lever handle operation allows both volume and temperature control
- SSI Eco-Care pivot aerator 1.2 gpm) at 60 psi
- SSI "Speed Connector" for an easy spout installation
- Single cover plate trim available
- Available waste pop-up drain
- Must be used together with rough-in valve F3100B for horizontal installation. Used as wall mounted tub filler when flow straightener is used in lieu of aerator (F16008T-S with flow straightener)

Finish

- CP (Polished Chrome)
- PVD-BN (PVD Brushed Nickel)

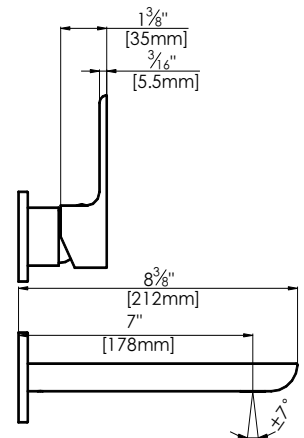
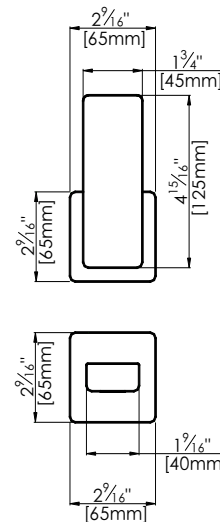
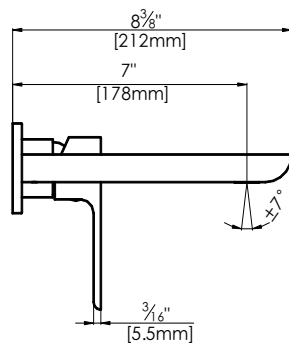
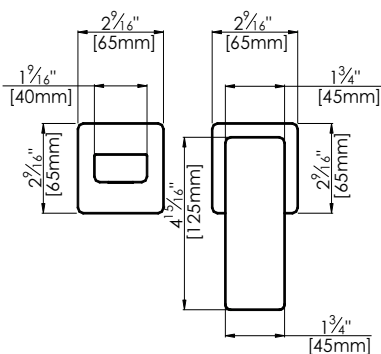
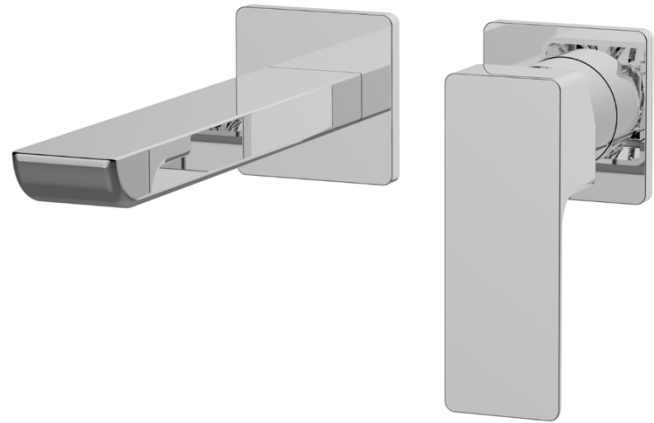
Codes and Standards

- ANSI/ASME A112.18.1
- CSA B125.1
- NSF61-9
- ADA
- IAPMO / cUPC Listed
- EPA Watersense Listed
- AB1953 California Lead Plumbing Law Certified

Warranty

- Limited Lifetime Faucet Warranty against material and manufacturing defects for residential use.
- 2 Year Limited Warranty on all industrial, commercial and business applications.

fluid Quad Series Single Lever Wall Mounted Faucet Model: F16008T



Model: F16008T